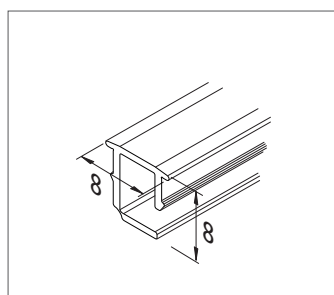
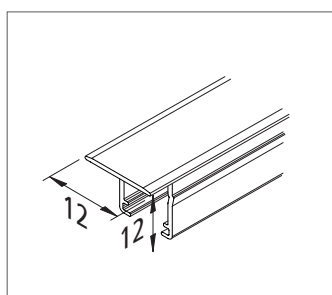


Milled Profiles – IN-Stick



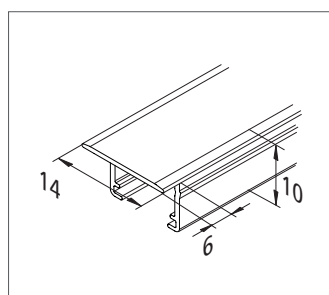
Milled Profile 8/8mm

PC highly matt 8 mm –
10 mm –



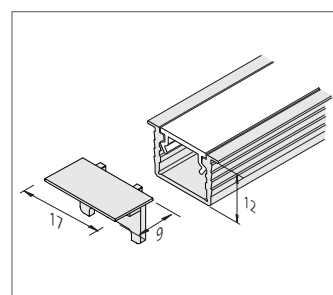
Milled Profile 12/12mm

PC highly matt 8 mm –
10 mm –



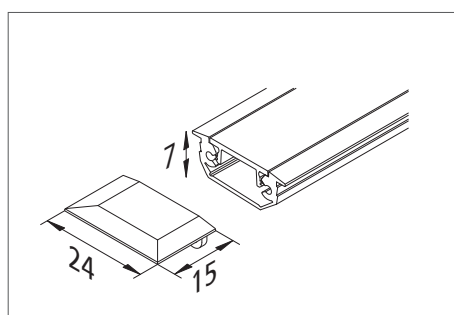
Milled Profile 14/10mm

PC highly matt 8 mm –
10 mm –



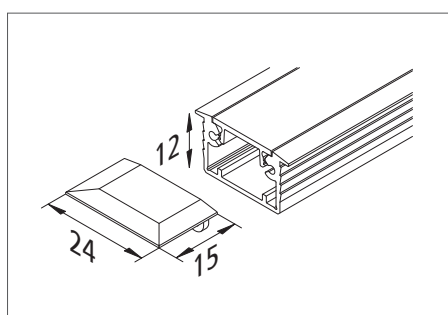
Milled Profile 17/12mm

anodized aluminium 8 mm ✓
10 mm –



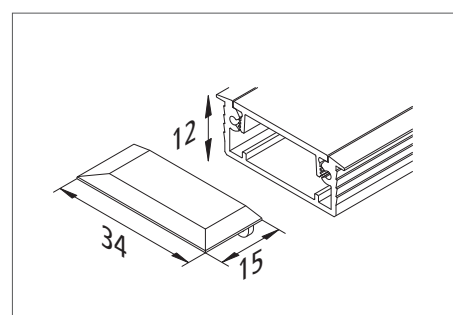
Milled Profile 24/7mm

anodized aluminium 8 mm ✓
+ black 10 mm –



Milled Profile 24/12mm

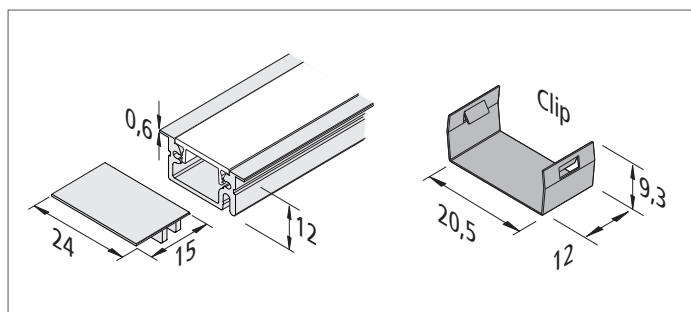
stainless steel look 8 mm ✓
+ anodized aluminium + black 10 mm ✓



Milled Profile 34/12mm

anodized aluminium 8 mm ✓
10 mm ✓

Milled Profiles – IN-Stick

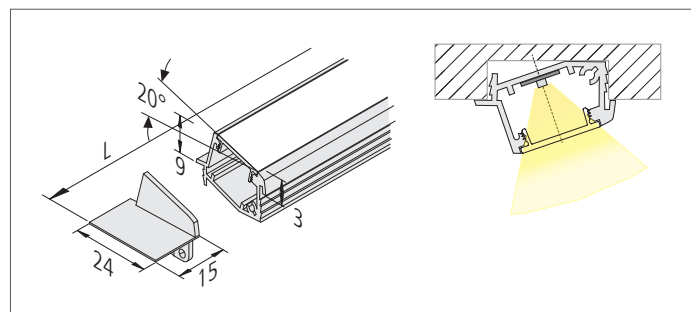


Milled Profile C 24mm

stainless steel look + black 8 mm ✓
10 mm ✓

Mounting clip

Milled Profiles – asymmetric

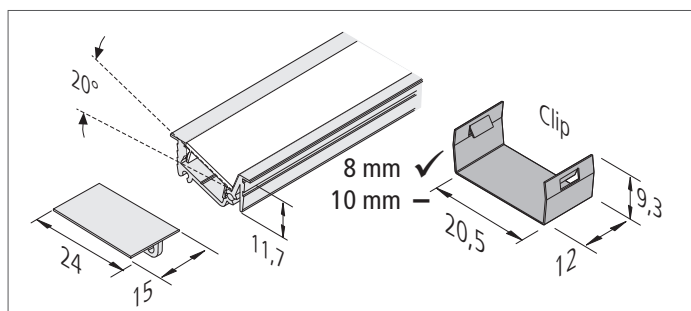


Milled Profile A 24mm

anodized aluminium + black 8 mm ✓
10 mm ✓

Mounting example

Milled Profiles – asymmetric

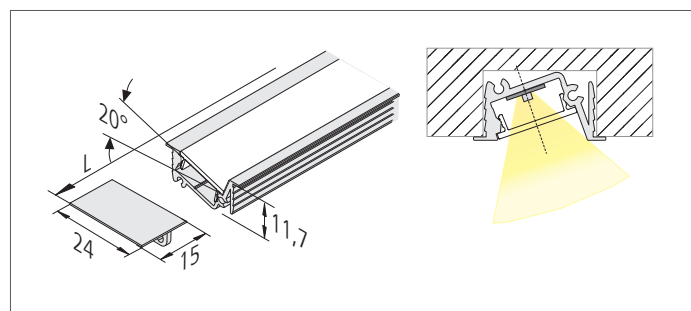


Milled Profile 24mm

stainless steel look + black 8 mm ✓
10 mm –

Mounting clip

Milled Profiles – asymmetric



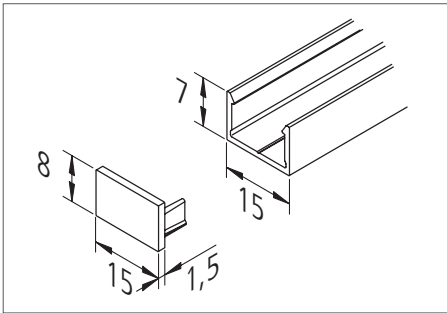
Milled Profile I 24mm

stainless steel look 8 mm ✓
+ anodized aluminium + black 10 mm –

Mounting example

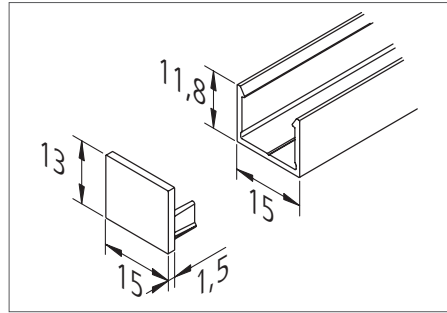
Compatible with 8 mm or 10 mm clip ✓ yes – no

Mounting Profiles – Top-Stick



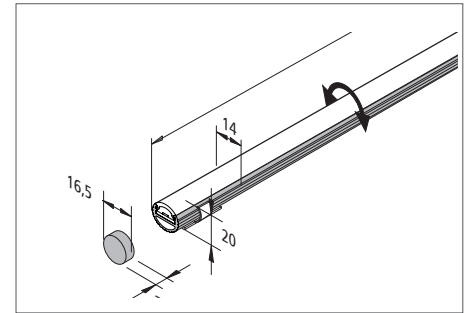
Mounting Profile 15/8mm

anodized aluminium + black 8 mm ✓
 Top-Stick M=Mini 10 mm –



Mounting Profile 15/13mm

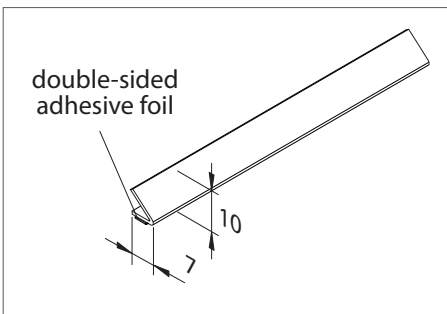
anodized aluminium + black 8 mm ✓
 Top-Stick S=Small 10 mm ✓



Mounting-/Coverprofile round

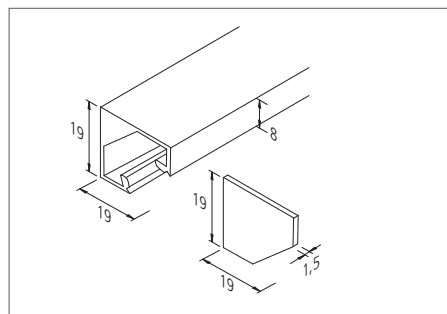
anodized aluminium + black 8 mm –
 10 mm –

Corner Profiles – Corner



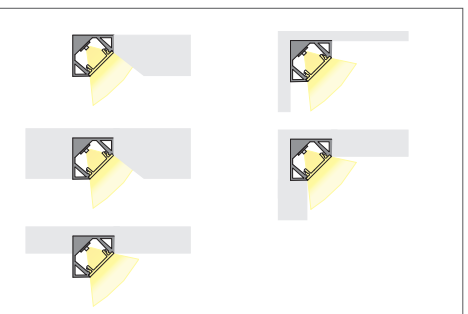
Corner Profile 10mm 45°

aluminium 8 mm ✓
 10 mm ✓



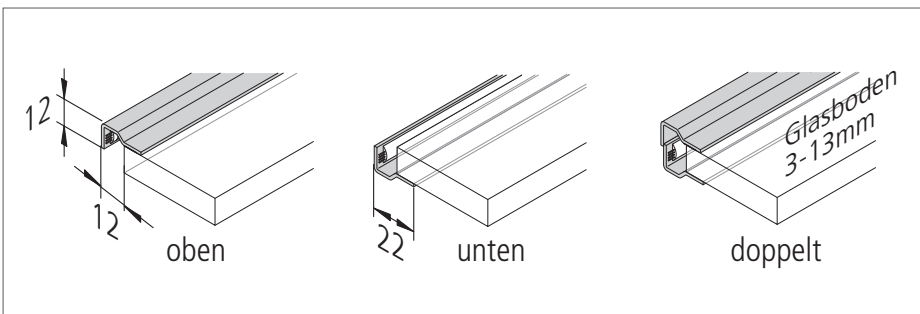
Corner Profile 19mm

anodized aluminium + black 8 mm ✓
 10 mm ✓



Mounting example

Profile for glass shelves Profile for glass shelves



Profile for glass shelves

anodized aluminium 8 mm ✓
 10 mm ✓

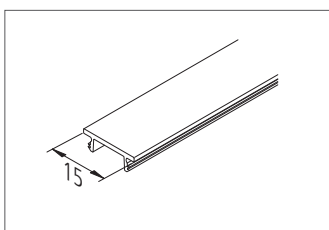
Legend

Compatible with
 8 mm or 10 mm clip

✓ yes

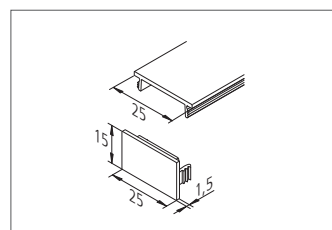
– no

Cover Profiles



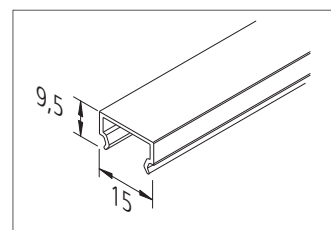
Cover Profile 15mm

PC clear + slightly matt
 + highly matt + |slightly
 black matt



Cover Profile 25mm

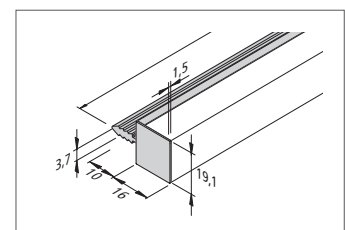
PC clear + slightly matt
 + highly matt



Cover Profile H

PC highly matt

Back-Line



Back-Line

anodized aluminium
 + black 8 mm ✓
 10 mm ✓

Compatible with 8 mm or 10 mm clip ✓ yes – no